

Honeywell

Honeywell Limited
3333 Unity Drive
Mississauga, Ontario
Canada L5L 3S6
CAGE: 07217
Telephone: 800-601-3099 (Toll Free U.S.A./Canada)
Telephone: 602-365-3099 (International Direct)

Website: www.myaerospace.com

SERVICE INFORMATION LETTER

This document is governed by the terms of the current Honeywell Materials License Agreement which can be found by logging into myaerospace.com and going to [MyAerospace Material License Agreement](#).

A. Subject

Transition from Honeywell RESCU 406SE Portable Emergency Locator Transmitter (ELT) to RESCU 406SG

B. Effectivity

- (1) This Service Bulletin is applicable to all platforms with ELT RESCU 406SE.
- (2) This Service Bulletin introduces the RESCU 406SG ELT and mounting bracket, which replaces the RESCU 406SE and mounting bracket as shown in [Table 1](#).

Table 1. Replacement Table

Existing Configurations RESCU 406SE		New Replacement Configurations RESCU 406SG	
Description	Part Number	Description	Part Number
RESCU 406SE	1153426-1MXXX	RESCU 406SG	51090368-1
RESCU 406SE	1153532-1MXXX	RESCU 406SG	51090368-1
RESCU 406SE	1153534-1MXXX	RESCU 406SG	51090368-1
RESCU 406SE	1153536-1MXXX	RESCU 406SG	51090368-1
RESCU 406SE	1153538-1M	RESCU 406SG	51090368-1
Mounting bracket	1153472-1, -2	Mounting bracket	51090370-1
		AIM3	51090138-1
		Adaptor plate	51090432-1

Table 2. Battery Impacted

Description	Part Number
RESCU 406SE battery	1096907-1

C. Reason

- (1) This Service Bulletin is issued to notify customers that Honeywell will discontinue production of the RESCU 406SE ELT. RESCU 406SE part numbers will be removed from the Honeywell parts catalog per the schedule in [Paragraph C.\(4\)](#). Honeywell will

Honeywell

SERVICE INFORMATION LETTER

This document is governed by the terms of the current Honeywell Materials License Agreement which can be found by logging into myaerospace.com and going to [MyAerospace Material License Agreement](#).

also limit the following for the RESCU 406SE: availability of battery replacement, battery expiration period, and repair and overhaul (R&O) support.

- (2) Honeywell has developed and certified a replacement model, RESCU 406SG, which is a new and improved portable/survival type ELT. The new RESCU 406SG ELT incorporates transmission of global positioning system (GPS) location and also fully addresses the new Federal Aviation Administration (FAA) regulatory requirements concerning non-rechargeable lithium batteries.
- (3) Honeywell will be taking steps to proactively work with customers to replace existing RESCU 406SE ELTs with the new RESCU 406SG ELTs under a trade-in program.
- (4) **Next Steps**
 - (a) Honeywell will:
 - Announce details of the trade-in program for existing RESCU 406SE ELTs in September 2017.
 - Discontinue production of RESCU 406SE ELTs by June 30, 2019. Honeywell will not accept orders for RESCU 406SE ELTs after December 31, 2018.
 - Discontinue deliveries of, or replacement services for, RESCU 406SE batteries no later than June 30, 2019.
 - Discontinue non-battery-related RESCU 406SE R&O services by both Honeywell and Honeywell-authorized third-party repair centers no later than December 31, 2021.
 - For batteries in service, refer to SB 1153426-25-0045 for detailed instructions to modify the expiration date to December 31, 2021. This is a Category 2 "Recommended" service bulletin. The purpose of this service bulletin is to align the end of battery life with end of R&O services. This service bulletin will only be implemented in Honeywell repair centers with the approval of the operator. Operators that do not implement the service bulletin do so with the understanding that Honeywell will not provide R&O support beyond 2021 for the unit or battery regardless of the marked battery life.
 - (b) Operators are requested to contact Honeywell and/or aircraft OEMs to switch from the RESCU 406SE model, to the new RESCU 406SG, for new aircraft deliveries in accordance with the RESCU 406SG certification activities on Boeing, Airbus and other forward fit platforms.
 - (c) Operators can follow SE removal and SG installation guidance to replace the RESCU 406SE with the new RESCU 406SG.
- (5) **Transition Plan**
 - (a) RESCU 406SG: Available to operators for field replacement in September 2017.
 - (b) RESCU 406SG: Available for Boeing forward fit beginning Q1 2018.
 - (c) RESCU 406SG: Available for Airbus forward fit beginning Q2 2019.
 - (d) RESCU 406SG: Currently not available for Bombardier aircraft at this time. Customers should contact Bombardier to request the 406SG be added to the aircraft catalog.

Honeywell

SERVICE INFORMATION LETTER

This document is governed by the terms of the current Honeywell Materials License Agreement which can be found by logging into myaerospace.com and going to [MyAerospace Material License Agreement](#).

D. References

- (1) To find, see, and download Honeywell Technical Publications, go to www.myaerospace.com.
- (2) The document that follows is associated with this service information letter. Unless specified differently, you can use subsequent revisions.
 - CMM, ATA Number 25-60-15 (Publication Number D201603000015) Revision 2, RESCU 406SG Emergency Locator Transmitter.
- (3) FAA Issue Paper: Docket No. FAA-2015-5758; Special Conditions No. 25-632-SC.
- (4) European Aviation Safety Agency (EASA) CRI Proposed Special Condition on “Non-rechargeable Lithium Battery Installations”.

E. Summary

- (1) The new RESCU 406SG is available under a single part number, addressing all five parts numbers for the RESCU 406SE.
- (2) The RESCU 406SG and ancillary part numbers are:
 - PN 51090368-1, RESCU 406SG portable/survival type ELT
 - PN 51090370-1, Mounting bracket
 - PN 51090138-1, Optional AIM3 programming dongle
 - PN 51090432-1, Optional adaptor plate, to match to RESCU 406SE mounting holes.
- (3) The RESCU 406SG has the following key features:
 - (a) Certified to meet new FAA requirements for non-rechargeable lithium batteries.
 - (b) Incorporates internal GPS receiver for transmission of location within 406 MHz signal.
 - 1 Immediate transmission/detection of ELT location, no delay from measure/compute location by doppler frequency shift.
 - 2 ELT location accuracy (100 m), with high resolution location transmission.
 - (c) Smaller/lighter ELT and mounting bracket than the RESCU 406SE.
 - (d) Smaller battery size with less energy to meet new FAA requirements for non-rechargeable lithium batteries, and a 5-year service life.
 - (e) Comprehensive self-test, including GPS and battery usage. Validate/Fault Isolate.
 - (f) Folded 121.5 MHz and 406 MHz transmission antenna (243 MHz signal is no longer needed).
 - (g) GPS receiver/antenna.
 - (h) Tether and flotation ring.
 - (i) Aluminum machined housing.
 - (j) Mounting bracket.

Honeywell

SERVICE INFORMATION LETTER

This document is governed by the terms of the current Honeywell Materials License Agreement which can be found by logging into myaerospace.com and going to [MyAerospace Material License Agreement](#).

- (k) Water sensor, for automatic activation when immersed in water.
- (l) Battery with elapse time meter.
- (m) Weight/size: Refer to [Table 3](#).
- (n) Weight/size with mounting bracket: Refer to [Table 3](#).

Table 3. Comparison Between RESCU 406SG and RESCU 406SE

Description Summary Item	RESCU 406SE	RESCU 406SG
Weight	3.97 pounds (1.8 kg) / 21 inches (53.3 cm)	2.5 pounds (1.1 kg)
Volume, with bracket	21.8 by 3.3 by 4.1 inches (55.4 by 8.4 by 10.4 cm)	7.5 by 5.15 by 4.5 inches (19.1 by 13.1 by 11.4 cm)
Frequencies	121.5 / 243 / 406 MHz	121.5 / 406 MHz
Internal GPS	No	Yes
Part numbers	1153426-1MXXX 1153532-1MXXX 1153534-1MXXX 1153536-1MXXX 1153538-1MXXX 1153426-1M900, all Protocols	51090368-1 for all protocols
Approval issues	1. TSO-C126, TSO-C91a 2. TSO-C142 (battery) COSPAS-SARSAT	1. TSO-C126b 2. TSO-C142a (battery) 3. Battery FAA issue paper COSPAS-SARSAT
Mounting bracket	PN 1153472-1/-2	PN 51090370-1
Installation and operation		Smaller volume / less weight. Same mounting holes as RESCU 406SE with adaptor plate.
CMM	25-60-13	25-60-15

Honeywell

SERVICE INFORMATION LETTER

This document is governed by the terms of the current Honeywell Materials License Agreement which can be found by logging into myaerospace.com and going to [MyAerospace Material License Agreement](#).



NOTE:

SG is not shown with mounting bracket, whereas the SE is shown in the bracket.

ICN-07217-0000640315-001-01

Figure 1. (Sheet 1 of 1) Comparison Between RESCU 406SG (Left) and RESCU 406SE (Right)

- (4) Interfaces to:
 - AIM3: PN 51090136-1, programming aircraft identification module
 - Honeywell BMP programming tool.
- (5) Approvals:
 - FAA TSO-C126b, TSO-C142a
 - COSPAS-SARSAT.

Honeywell

SERVICE INFORMATION LETTER

This document is governed by the terms of the current Honeywell Materials License Agreement which can be found by logging into myaerospace.com and going to [MyAerospace Material License Agreement](#).

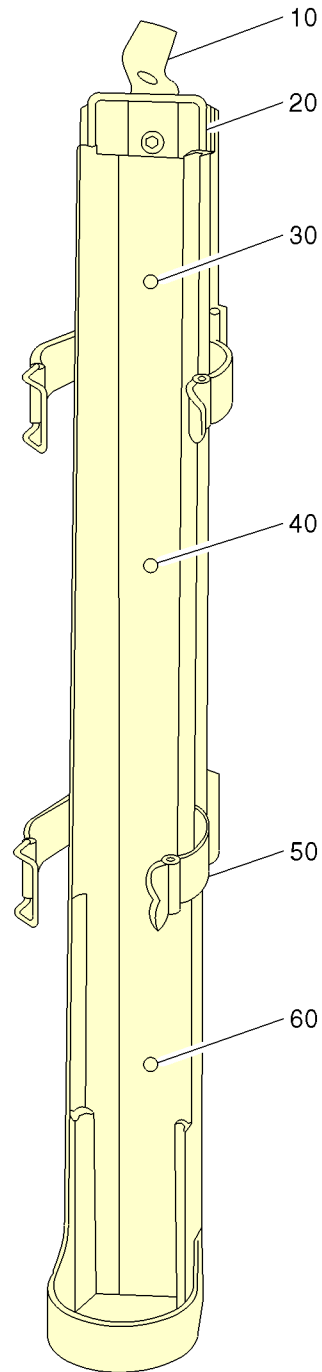
F. Removal Guidelines for RESCU 406SE

- (1) Open the strap assemblies as shown in [Figure 2](#), and carefully remove the RESCU 406SE from the mounting bracket.
- (2) Remove attachments at mounting holes No. 1 and No. 2 (or optional 3rd mounting hole) to remove bracket from installation.

Honeywell

SERVICE INFORMATION LETTER

This document is governed by the terms of the current Honeywell Materials License Agreement which can be found by logging into myaerospace.com and going to [MyAerospace Material License Agreement](#).



NOTE:

Mounting hole No. 3 optional.

ICN-07217-0000440978-001-01

Figure 2. (Sheet 1 of 1) Mounting Bracket, PN 1153472-1 or PN 1153472-2

Honeywell

SERVICE INFORMATION LETTER

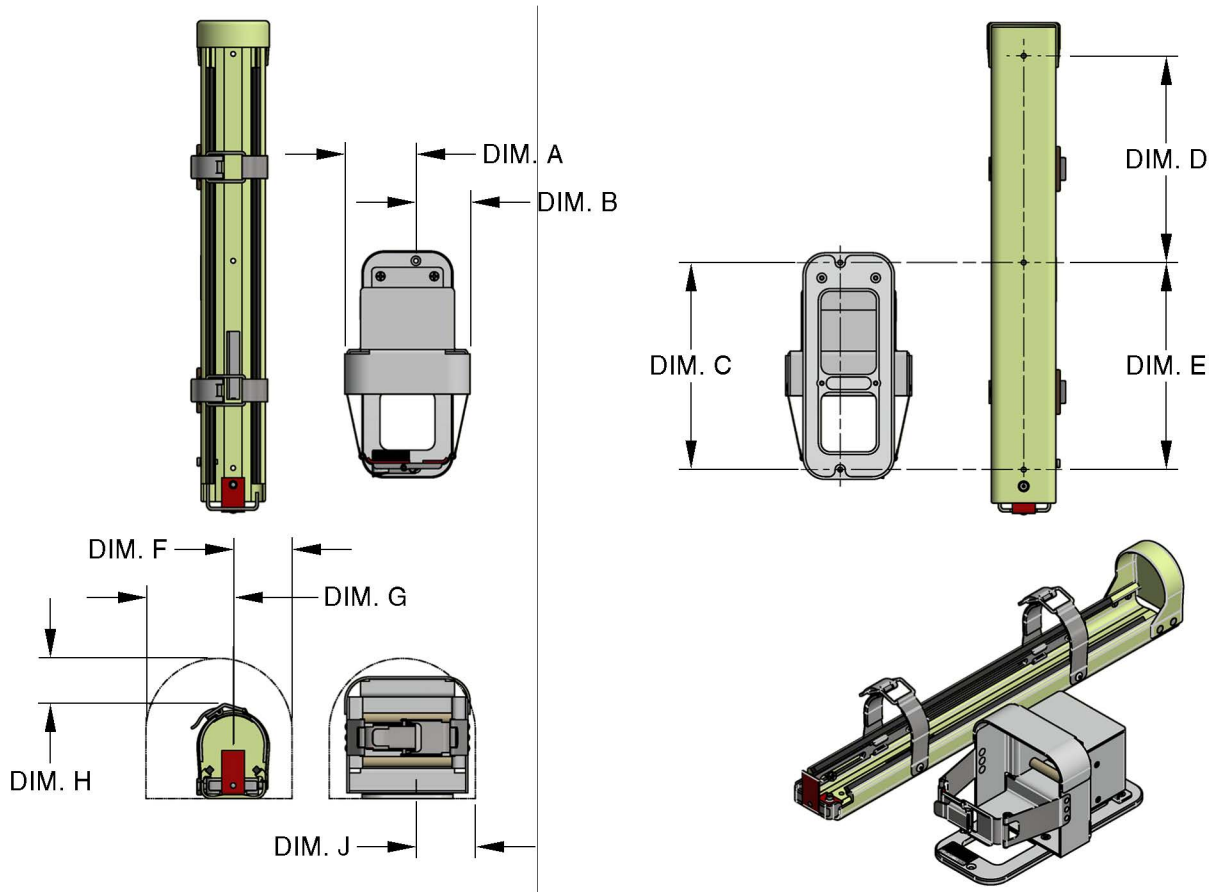
This document is governed by the terms of the current Honeywell Materials License Agreement which can be found by logging into myaerospace.com and going to [MyAerospace Material License Agreement](#).

Key for Figure 2 (Sheet 1)

10	EMERGENCY PULL STRAP	40	MOUNTING HOLE NO. 2
20	QUICK RELEASE PULL HANDLE	50	STANDARD RELEASE LATCH
30	MOUNTING HOLE NO. 3	60	MOUNTING HOLE NO. 1

G. Installation Guidelines for RESCU 406SG Adapter Plate and Mounting Bracket

- (1) Attach the adapter plate, PN 51090432-1, to the mounting bracket, PN 51090370-1. Refer to [Figure 3](#). Then attach the assembly to the aircraft using the existing holes left by the RESCU 406SE mounting bracket. Either mounting holes No. 1 and No. 2 can be used, or mounting holes No. 2 and No. 3 can be used.



ICN-07217-0000640697-001-01

Figure 3. (Sheet 1 of 1) Installation of Adapter Plate, PN 51090432-1, and Mounting Bracket, PN 51090370-1, into RESCU 406SE Mounting Bracket Installation Holes

Honeywell

SERVICE INFORMATION LETTER

This document is governed by the terms of the current Honeywell Materials License Agreement which can be found by logging into myaerospace.com and going to [MyAerospace Material License Agreement](#).

Key for Figure 3 (Sheet 1)

Reference	Limits Inches (mm)	Reference	Limits Inches (mm)
DIM. A	3.13 (79.5)	DIM. F	2.59 (65.8)
DIM. B	2.38 (60.5)	DIM. G	3.84 (97.6)
DIM. C	9.13 (232.0)	DIM. H	2.00 (50.8)
DIM. D	9.12 (231.6)	DIM. J	2.60 (66.0)
DIM. E	9.13 (232.0)		

- (2) To install the RESCU 406SG into mounting bracket, refer to CMM 25-60-15.

H. Contact Information

- (1) For pricing or commercial requests regarding the replacement configurations, please contact Honeywell customer support operations toll free at:
 Telephone: 1-800-601-3099 (Toll Free U.S.A./Canada)
 Telephone: 1-602-365-3099 (International Direct).
- (2) The Honeywell Aerospace Technical Support (ATS) team can be contacted for additional information on this service information letter.
 Honeywell Aerospace Technical Support
 Telephone: 855-808-6500 (Toll Free U.S.A./Canada)
 Telephone: 602-365-6500 (International Direct)
 Option 1 for Avionics or Option 2 for Mechanical.
 E-mail: AeroTechSupport@honeywell.com

I. Summary of Change

This revision is a FULL replacement. This revision includes the changes that follow:

- Changed the last bullet point in [Paragraph C.](#), Step (4)(a), to show batteries in service information.
- Changed the content and format to agree with Honeywell processes in effect at the time of the release of this revision.

J. Revision History

This service information letter has had two revision(s) as shown in [Table 4](#).

Table 4. Revision History

Revision Number	Revision Date
0	3 Aug 2017
1	19 Dec 2018
2	30 Oct 2019

Honeywell

SERVICE INFORMATION LETTER

This document is governed by the terms of the current Honeywell Materials License Agreement which can be found by logging into myaerospace.com and going to [MyAerospace Material License Agreement](#).

Export Control

This document contains technical data and is subject to Canadian and U.S. export regulations. If these commodities, technology, or software were exported from Canada, no export permit is required. If these commodities, technology, or software were exported from the United States, they must be exported in accordance with the Export Administration Regulations. Diversion contrary to Canadian or U.S. Law or regulations is prohibited.

Canadian ECL: C-NEPR

ECCN: 9E991.